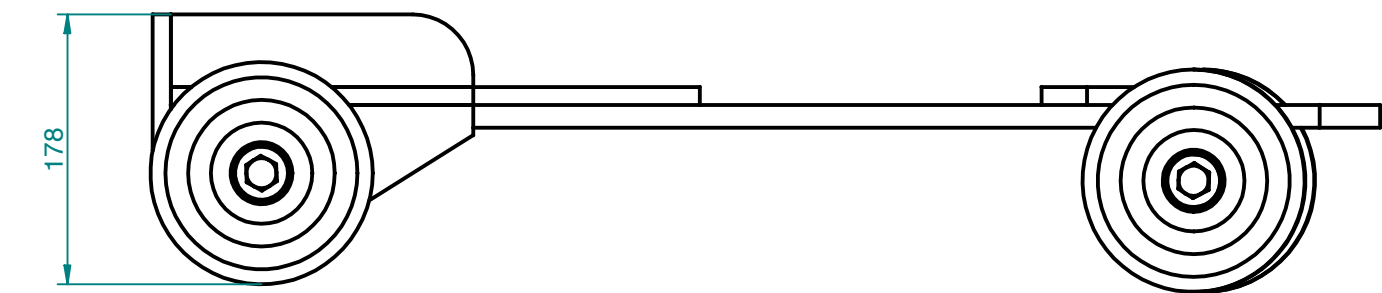
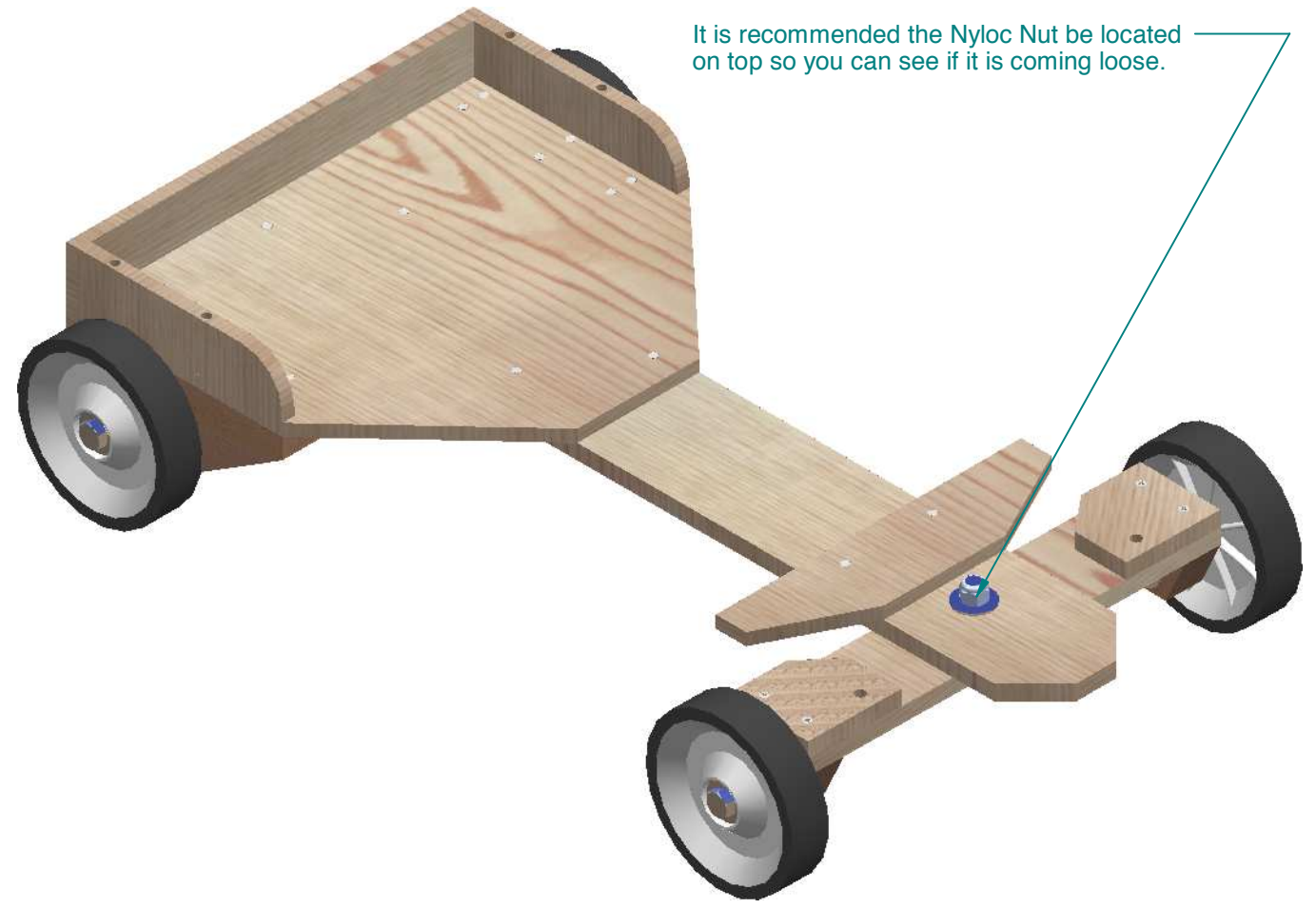


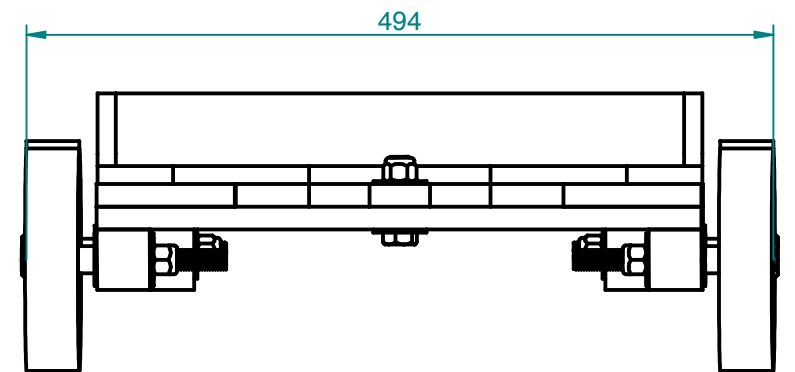
Top



Side



Angle View

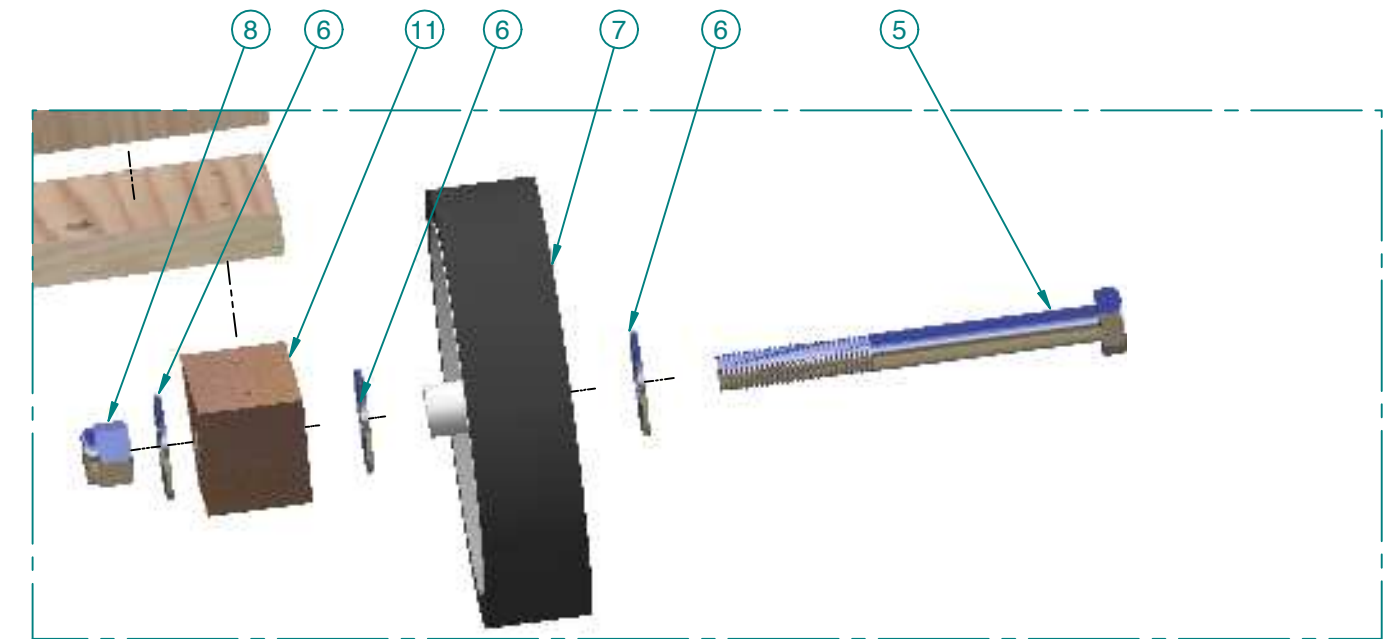
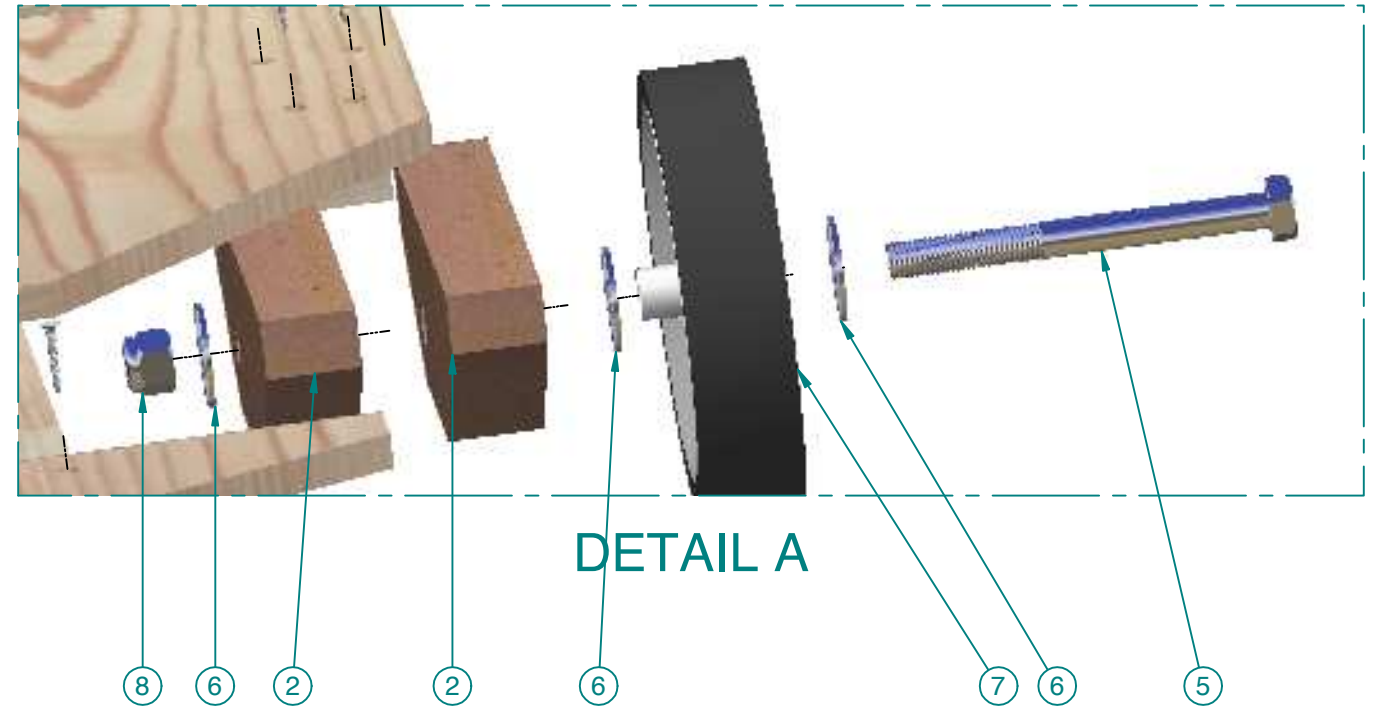
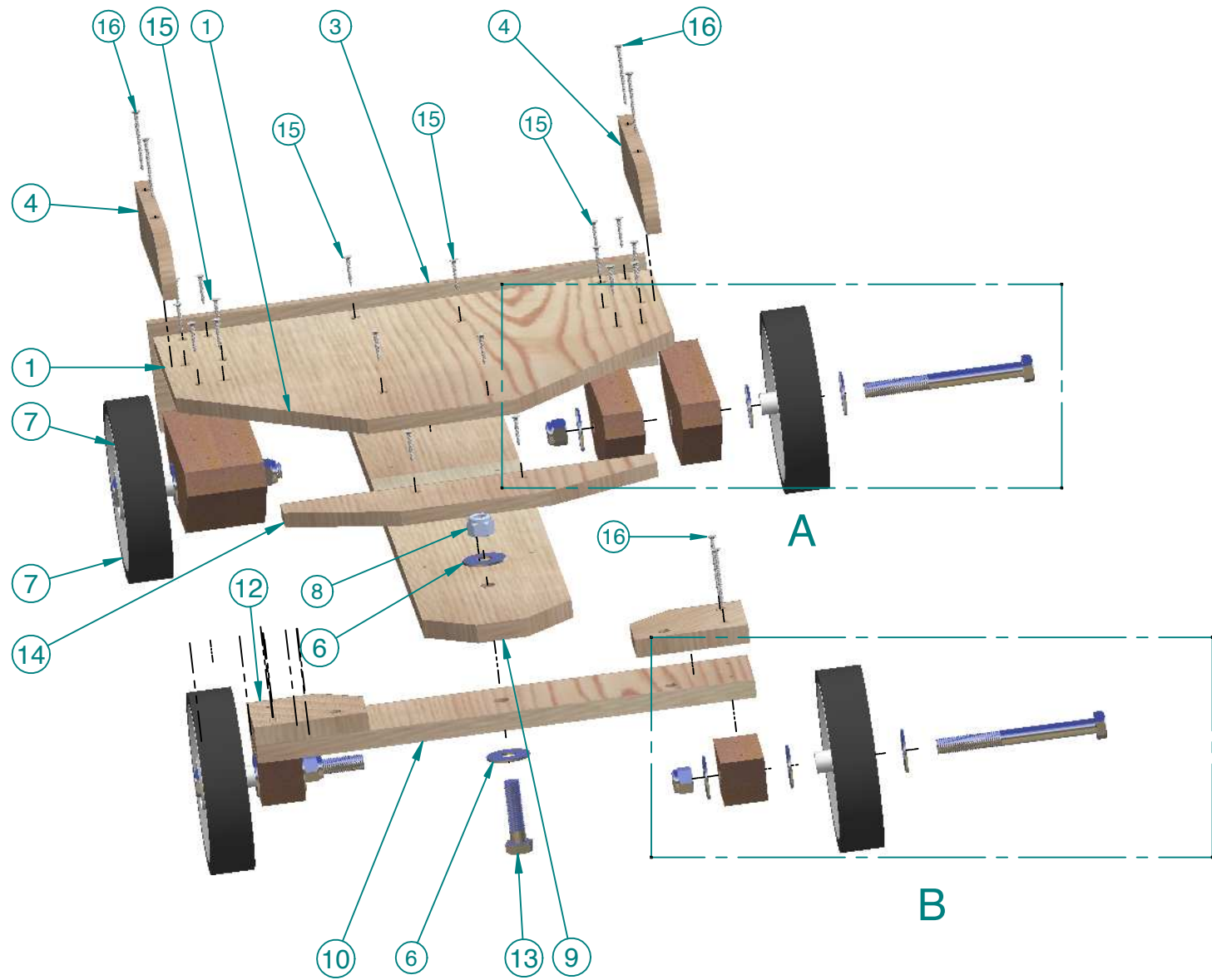


Front

For dimensions of parts see the following pages.  
 All care and no responsibility is taken with this design. Materials are specified however it is recommended that seat components and Foot Plate be made from a relatively thick ply wood (~12mm - min.).  
 The wheels selected for this design are suggestion only. Please select your wheels to suit the intended terrain.  
 It is recommended that you use wood glue in addition to the wood fasteners to ensure a strong and safe construction. Happy Building.

<http://www.homeschool.co.uk>

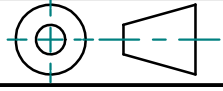
UNLESS OTHERWISE SPECIFIED DIMENSIONS ARE IN MILLIMETERS SURFACE FINISH: TOLERANCES: LINEAR: ANGULAR:		THIS DRAWING AND DESIGN IS COPYRIGHT AND SHALL REMAIN THE SOLE PROPERTY OF SUN CAD AND ROLAND MUNYARD. IT MUST NOT BE USED FOR COMMERCIAL PURPOSES.		GO KART - DESIGN #0001	
APPROVALS	DATE	 <b>A3</b>	TITLE Overview		
DRAWN Peter S					
CHECKED					
APPROVED					
STATUS		MATERIAL:	DWG NO:		
DO NOT SCALE		WEIGHT:	SCALE:	SHEET 1 OF 5	REV

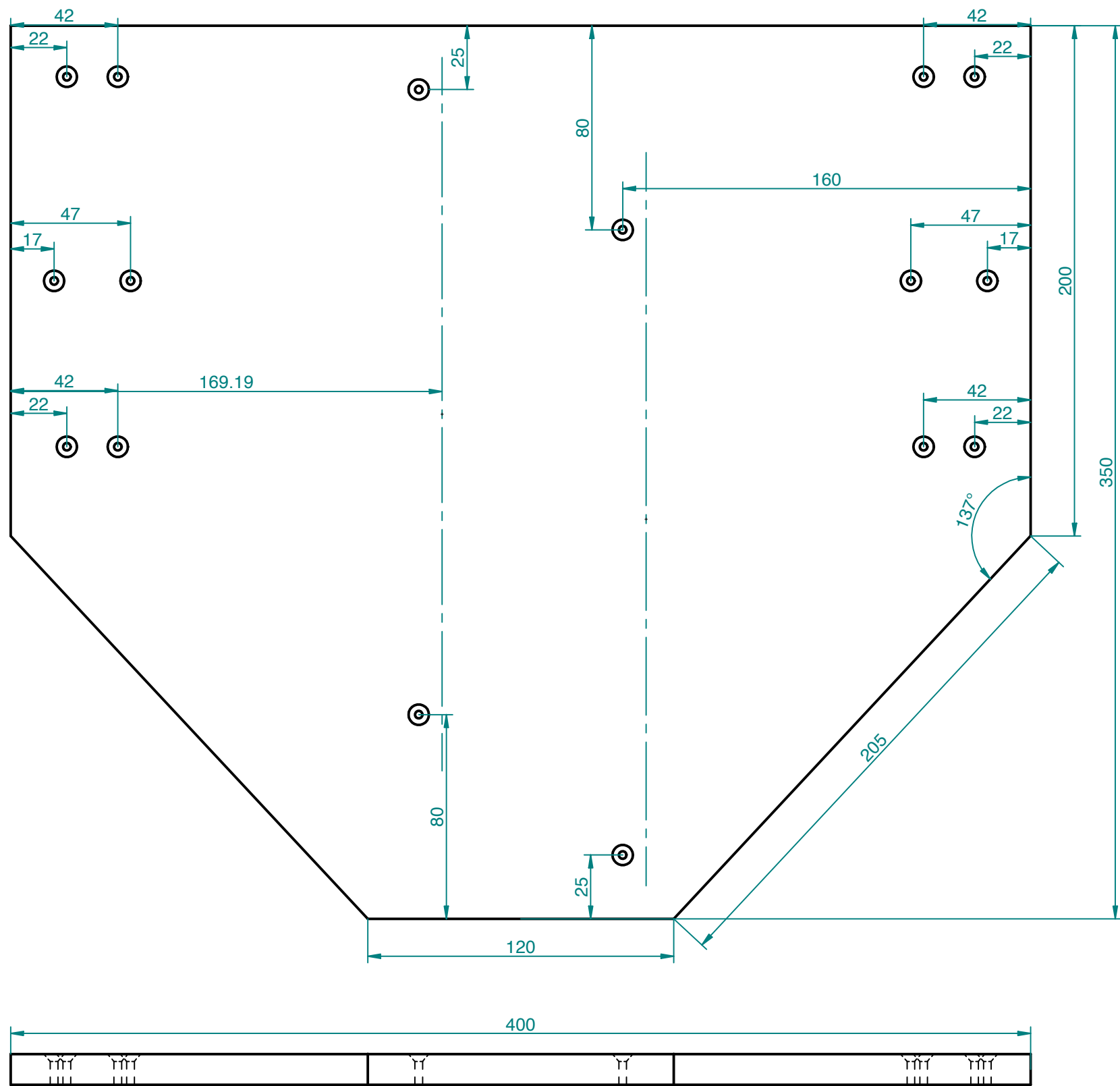


Item Number	Title	Material	Quantity
1	Seat	Wood, Ply 2	1
2	Wheel Mount Block-Rear	Wood, Pine	4
3	Seat Back	Wood, Ply 2	1
4	Seat Side	Wood, Ply 2	2
5	Bolt - 1/2" x 5" Hex Head		4
6	Washer - 1/2"		14
7	Wheel		4
8	Nut 1/2 Nyloc		5
9	Stem	Wood, Pine	1
10	Steering Beam	Wood, Pine	1
11	Wheel Block-Front	Wood, Pine	2
12	steering block	Wood, Ply 2	2
13	Bolt - 1/2" x 2" Hex Head		1
14	Foot Plate	Wood, Pine	1
15	Woodscrew 1"		20
16	Woodscrew 2"		8

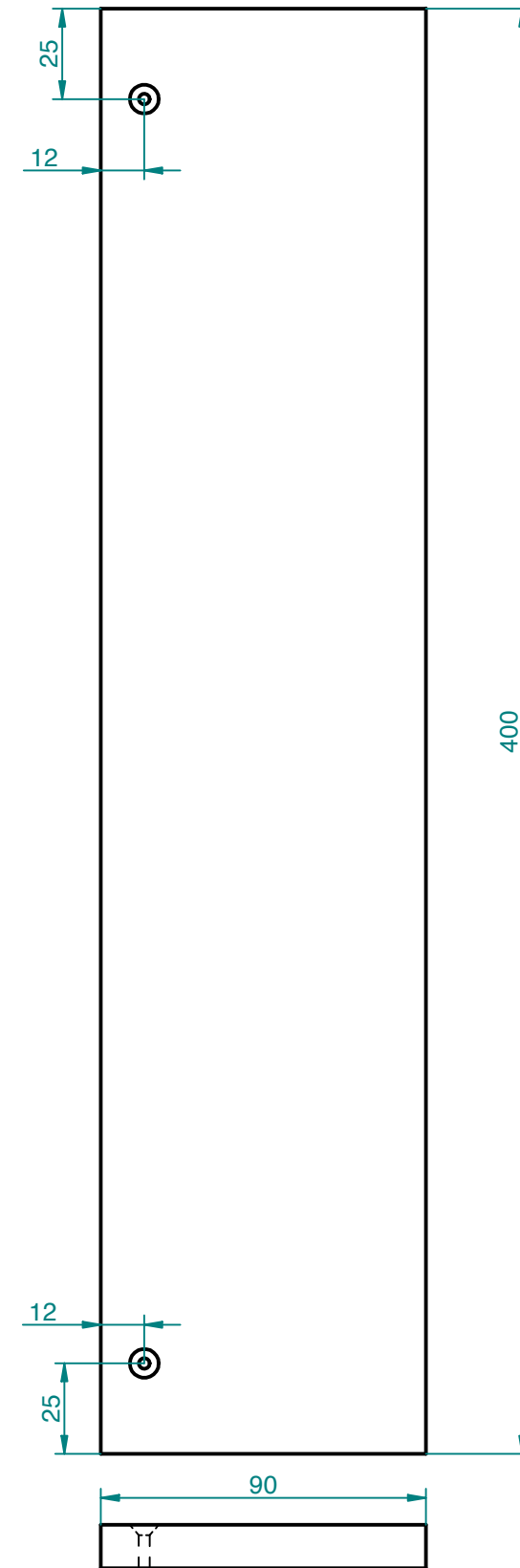
<http://www.homeschool.co.uk>

DETAIL B

UNLESS OTHERWISE SPECIFIED DIMENSIONS ARE IN MILLIMETERS SURFACE FINISH: TOLERANCES: LINEAR: ANGULAR:		THIS DRAWING AND DESIGN IS COPYRIGHT AND SHALL REMAIN THE SOLE PROPERTY OF SUN CAD AND ROLAND MUNYARD. IT MUST NOT BE USED FOR COMMERCIAL PURPOSES.		GO KART - DESIGN #0001	
APPROVALS	DATE	 <b>A3</b>	TITLE Assembly and Component Detail.		
DRAWN Peter S			SUN CAD www.suncad.com.au		
CHECKED			DWG NO:		
APPROVED			MATERIAL:		
STATUS		WEIGHT:		SCALE:	
DO NOT SCALE				SHEET 2 OF 5	
				REV	

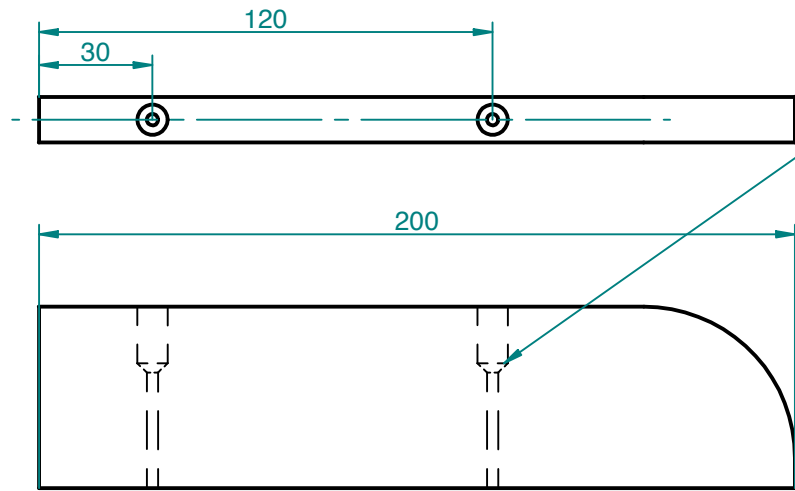


Seat Detail



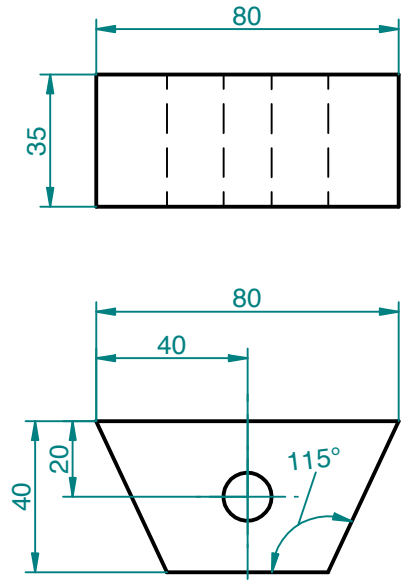
Seat Back Detail

UNLESS OTHERWISE SPECIFIED DIMENSIONS ARE IN MILLIMETERS SURFACE FINISH: TOLERANCES: LINEAR: ANGULAR:		THIS DRAWING AND DESIGN IS COPYRIGHT AND SHALL REMAIN THE SOLE PROPERTY OF SUN CAD AND ROLAND MUNYARD. IT MUST NOT BE USED FOR COMMERCIAL PURPOSES.		GO KART - DESIGN #0001	
APPROVALS	DATE	<b>A3</b> <b>SUN CAD</b> <a href="http://www.suncad.com.au">www.suncad.com.au</a>	TITLE Seat and Seat-Back Detail		
DRAWN Peter S			DWG NO:		
CHECKED			SCALE: 1:2		
APPROVED			SHEET 3 OF 5		
STATUS		MATERIAL:	REV		
DO NOT SCALE		WEIGHT:			



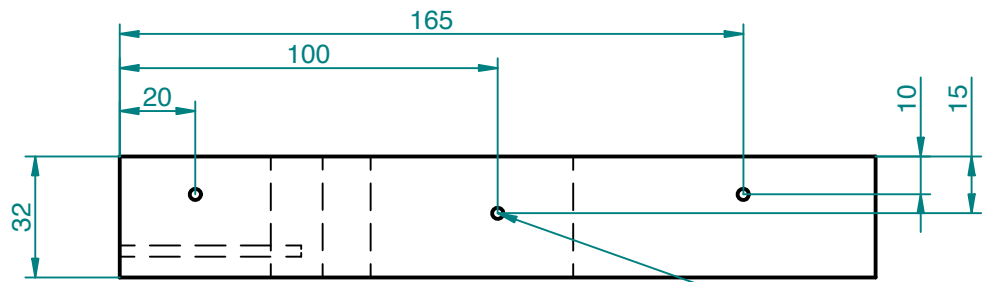
Seat Side

You may need to counter bore the holes a bit or you could use longer screws (~2.5")  
Be sure to countersink the holes.

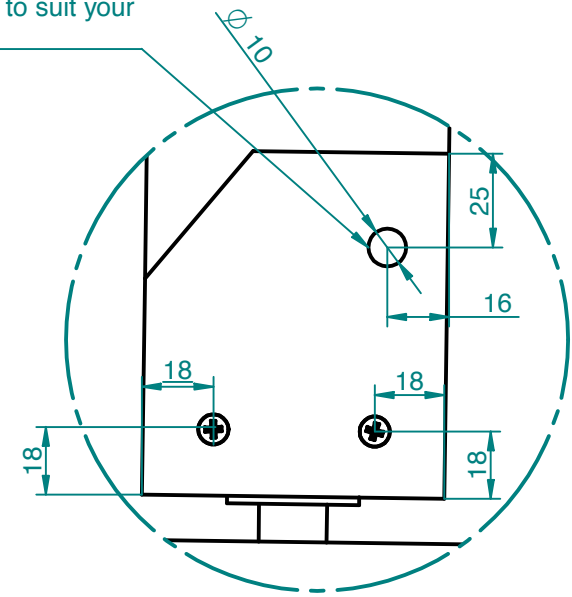


Wheel Mount Block-Front

Rope hole.  
Choose the hole diameter to suit your choice of steering rope.

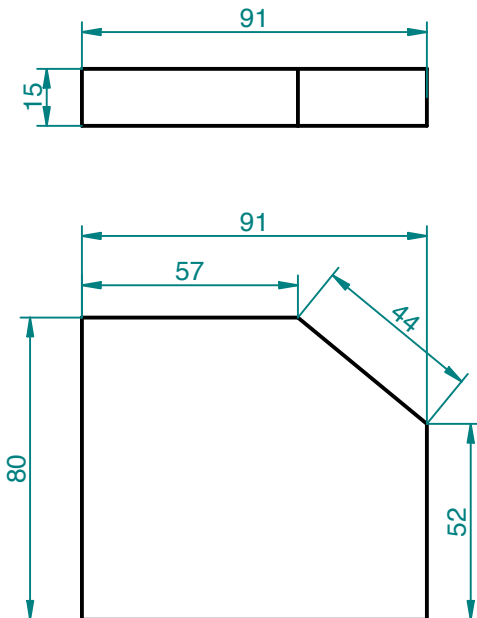


These are pilot holes only.  
Be sure not to oversize them.



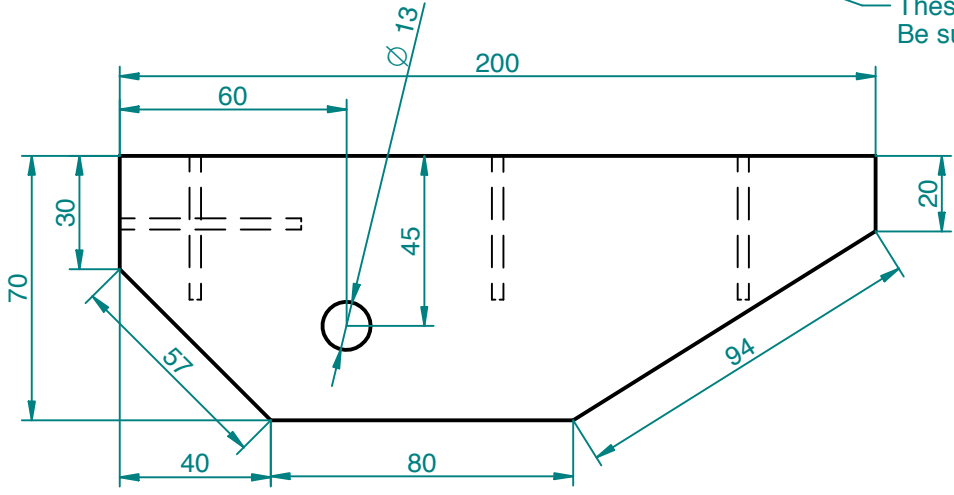
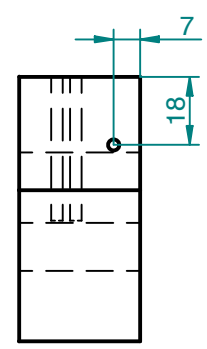
DETAIL C

Hole detail from page 1.



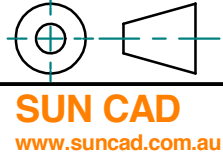
Steering Block

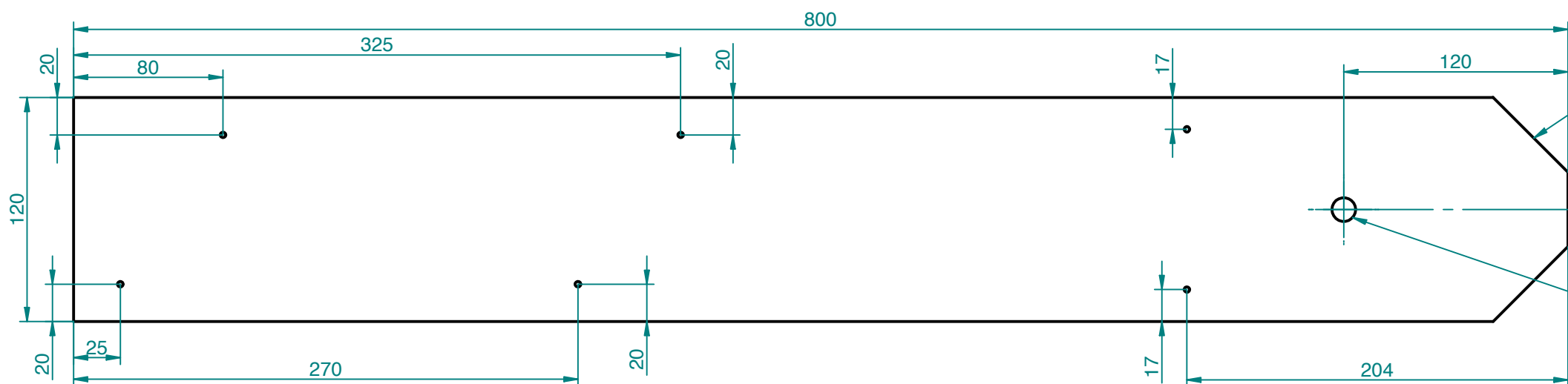
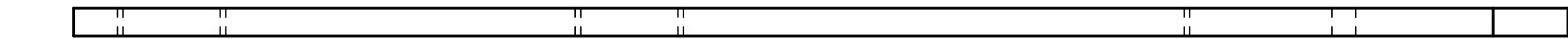
This component ensures your little pilot does not turn too hard and damage the wheels on the Stem.  
Be sure to countersink the screw holes.



Wheel Mount Block-Rear

Choose a good, strong hardwood for the Wheel Mount components to ensure your Kart outlives it's use.

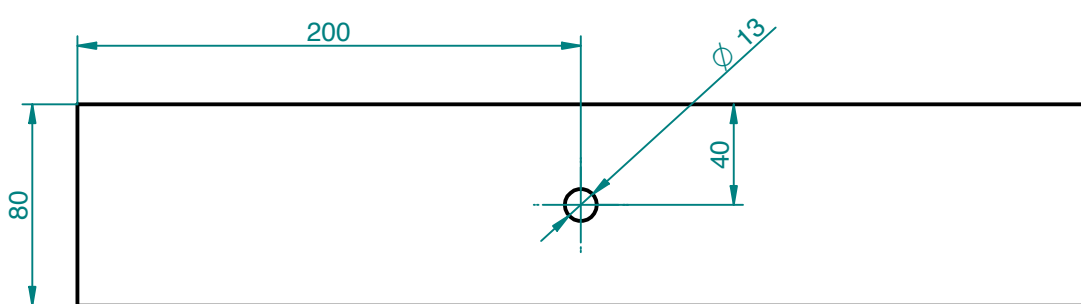
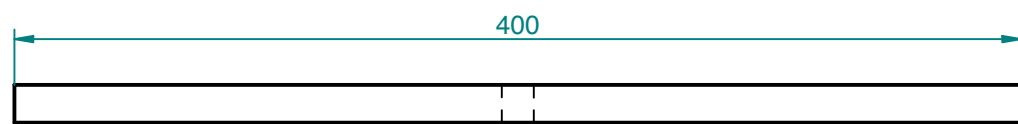
UNLESS OTHERWISE SPECIFIED DIMENSIONS ARE IN MILLIMETERS SURFACE FINISH: TOLERANCES: LINEAR: ANGULAR:		THIS DRAWING AND DESIGN IS COPYRIGHT AND SHALL REMAIN THE SOLE PROPERTY OF SUN CAD AND ROLAND MUNYARD. IT MUST NOT BE USED FOR COMMERCIAL PURPOSES.		GO KART - DESIGN #0001	
APPROVALS	DATE	 <b>A3</b> <a href="http://www.suncad.com.au">www.suncad.com.au</a>	TITLE		
DRAWN Peter S			Seat Side, Wheel Mounts and Steering Block Detail.		
CHECKED			DWG NO:		
APPROVED			SCALE: 1:2		
STATUS		MATERIAL:		SHEET 4 OF 5	
DO NOT SCALE		WEIGHT:		REV	



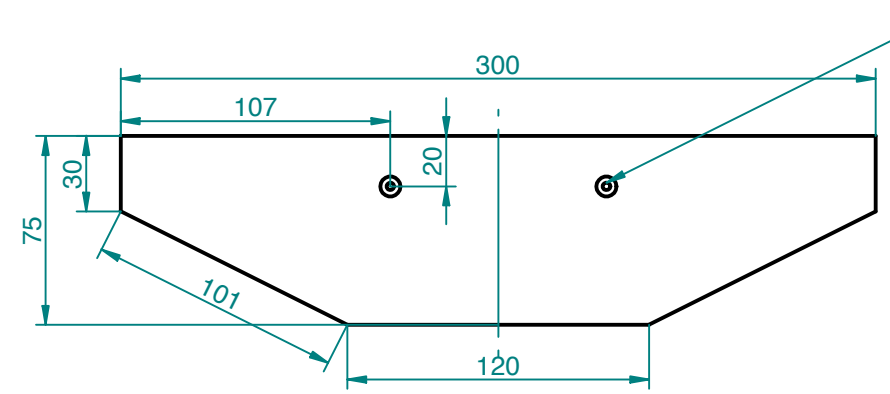
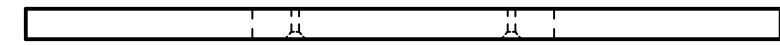
These cuts are for cosmetic purposes only. You may choose to round off the front.

Steering Bolt hole. All other holes are pilot holes. Be sure not to oversize.

Stem

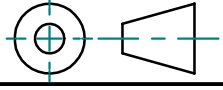


Steering Beam



Countersunk holes

Foot Plate

UNLESS OTHERWISE SPECIFIED DIMENSIONS ARE IN MILLIMETERS SURFACE FINISH: TOLERANCES: LINEAR: ANGULAR:		THIS DRAWING AND DESIGN IS COPYRIGHT AND SHALL REMAIN THE SOLE PROPERTY OF SUN CAD AND ROLAND MUNYARD. IT MUST NOT BE USED FOR COMMERCIAL PURPOSES.		GO KART - DESIGN #0001	
APPROVALS	DATE	 <b>A3</b> <b>SUN CAD</b> <a href="http://www.suncad.com.au">www.suncad.com.au</a>	TITLE		
DRAWN Peter S			Stem, Steering Beam and Foot Plate Detail.		
CHECKED			DWG NO:		
APPROVED			SCALE: 1:3		
STATUS		MATERIAL:	SHEET 5 OF 5		
DO NOT SCALE		WEIGHT:	REV		